

# The Moon Project: Topic #2 – Relationships Between the Moon and the Planets and Stars

## The Moon by Mary Barrett<sup>1</sup>

*The Moon is really just one size  
It always stays the same,  
But here on Earth before our eyes,  
We see it wax and wane.*

*The light grows larger every day  
Exactly as it ought'er,  
But logic tells us we must say  
What looks like half is quarter.*

*The new moon we don't see at all,  
But then there is a sliver,  
The crescent moon is what we call  
This slice that makes us quiver.*

*And then there's gibbous on its way  
To full, the brightest face,  
Then swiftly it begins to wane  
'Til gone without a trace.*

*These changes happen every night;  
Each month we see each phase  
The moon intrigues us with its light  
It truly does amaze.*

Dear God,

It is great the way you always get the stars in the right place. Why can't you do that with the moon?

Jeff (a young child)

### Organization of the Moon Project (Worth a total of 85 points)

Part of Project	Point Value	Specific Requirements are on...
Observations and Graph	25 points	p. 2–5
Written Paper and illustrations	40 points	p. 5–12
Your review of a classmate's paper	10 points	p. 12–14

Information, Tables, and Graphs	Where to find them
Tables in which to record your observations	p. 15–20
Graph for you to complete	p. 21–22
Tables of moon facts	p. 23–27

<sup>1</sup> Mary Barrett is a school teacher in Berkeley, CA. This poem appeared in the Fall/Winter 1999 GEMS Network News. If you plan to teach elementary or junior high school, check out all the wonderful GEMS (Great Explorations in Math and Science) K–8 teacher's guides in math and science at <http://www.lhs.berkeley.edu/gems/gems.html>.

**Purpose:** This assignment is designed to give you the opportunity to...

- become intimately familiar with the various changes that the moon goes through each month and season.
- conduct a genuine scientific research project: to make systematic accurate observations and to use those observations to derive scientific conclusions WITHOUT “looking it up” somewhere.
- write a clear, complete, well-illustrated scientific paper that uses evidence and sound logical reasoning to reach a conclusion.

**Question to Answer: Which way does the Moon revolve around Earth?**

Yes, you can look this up in your textbook, online, or in a wide variety of other sources. The answer is well known. Your job is to prove it, using particular types of observations and a bit of logic.

**Observations to Make for Topic #2**

**Where to Make Your Observations:** The best place to make your observations is a large open area such as a sports field or parking lot, but anyplace will do as long as you can see the moon and at least one planet or an identifiable bright star near the ecliptic.

**Required Number of Observations:** You must observe the moon at least 20 times. Each time, a planet or an identifiable star should also be visible. You will estimate the angular distance between the moon and that planet or star. Your observations will be most useful if you make them in sets of several days in a row, preferably at around the same time on each day of each set. Use the same planet or star for each observation within a set. When you switch to a different time, you may have to switch to a different planet or star—be sure to note that change!

BEGIN YOUR OBSERVATIONS IMMEDIATELY! The sooner you start, the easier it will be. If you have trouble at first, keep trying; it gets easier. Don't worry if you don't understand what your observations mean; that's normal. No scientist ever fully understands his/her observations until s/he has had a chance to analyze a large set of them. Let yourself wonder and not know. Keep making careful observations and keep asking yourself what they are trying to tell you. The answer will come. It may slowly dawn on you or it may suddenly flash into your mind after weeks of frustration. But, if you keep trying, it will definitely come. Here's a hint: Why do you suppose I am requiring you to make all of your observations in a particular set at the same time of day? What would you expect to see if the moon revolved around Earth clockwise? Counterclockwise?

**Suggested Times of Observations:** Be sure to make each observation when you can see both the moon and a planet or an easily identified star located along the ecliptic (dashed line on your star finder). Thus it must be dark or dusk. Do NOT choose this topic if you feel unsafe outdoors in the dark.

Plan your observation times carefully. Sometimes (about half the time), the moon is NOT out in the evening; instead, it's out in the morning. On those days, you will have to do your observations in the early morning, before sunrise. To figure out whether you can see the moon in the morning or evening on any particular day, consult the “Moon Facts” tables below.

**Finding Planets:** Planets are easy to find once you learn how; they are brighter than stars and they don't twinkle. Here is where to find the various planets and the star Aldebaran in the various months of the Spring Semester, 2011:

*February:* Jupiter will be up in the early evening for all of February, but by the end of February, it will set only a couple of hours after sunset. Look for it in the west to southwest. For awhile, in February, there will be no planets visible between 8 p.m. and Midnight. At those times, you can use a star as your reference sky object. Choose one on or near the ecliptic (the dashed line on your star chart). I suggest using Aldebaran, the brightest star in Taurus.

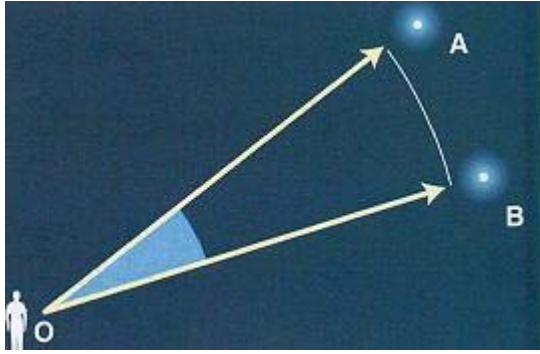


If you stay up late enough, you can use Saturn as your reference planet. In the beginning of February, Saturn will rise in the east around Midnight; by the end of February, it will rise around 10 p.m. In the early morning, Venus is by far the brightest object in the sky. Look for it in the east to southeast.

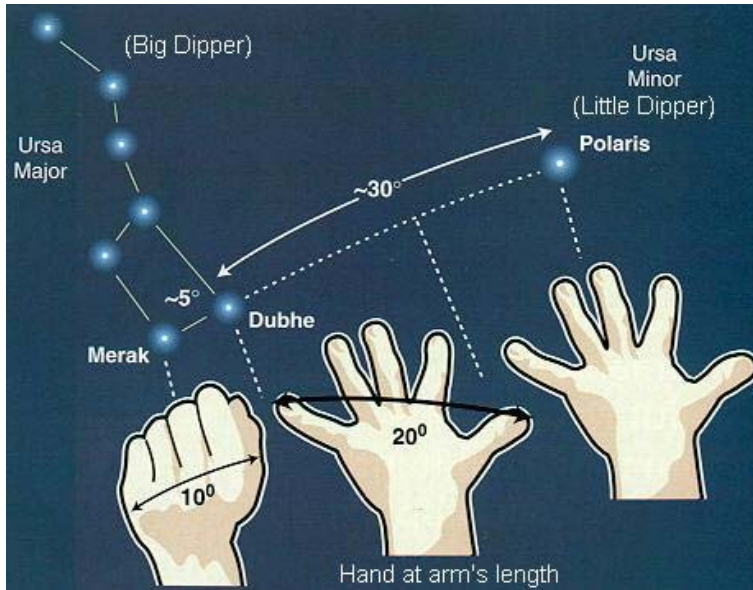
*March:* In March, Jupiter will be very difficult to find; it will be visible only in the west, right after sunset, in the twilight glow of the sun. Saturn will rise in the east around 10:00 at the beginning of March, rising earlier every day until daylight savings time hits on March 13, when it will suddenly rise an hour later again (back to 10:00); by the end of March, Saturn will be rising around 9:00. Venus will be easy to find in the early morning. It will be very bright and located in the eastern to southeastern part of the sky.

**Data to Record:** Record your data in the given tables. The first two entries have been completed for you to serve as an example.

1. Record the date and time of each observation. **Be sure to include a.m. or p.m.** as appropriate.
2. Under “Sketch of Moon,” sketch the moon the way you see it in the sky by blackening the part of the moon that you can NOT see; leave the visible part of the moon white. Be sure to clearly show how the visible portion is “tilted” relative to the horizon (On the data table, imagine the horizon as a horizontal line on the bottom of the page.).
3. Under “Locations of Moon and a Planet or Star,” draw and label the moon and whatever planet is visible on the “Celestial Hemisphere” diagram provided. To understand what this diagram is showing, imagine yourself (represented by the stick figure) standing in a large, open field. The sky looks like a huge inverted bowl. The moon, sun, planets and stars look like objects that are moving on the inside surface of this bowl. The moon and planets follow approximately the same path across the sky each day; that path (called the ecliptic) is shown on the diagram as a gray arc that goes from east to west. The moon and any planets (if they are up) should plot somewhere near that arc.
4. Make a rough measurement of the angular distance between the moon and a planet in the sky, using your fists (One “fist” is about  $10^\circ$ .) as shown below. Your lab instructor will demonstrate how to do this. Write this measurement under “Angle between Moon and Planet or Star.”



The angular distance between two objects in the sky is angle AOB.



Estimating angular distance in the sky using your hand held at arm's length. One fist is about  $10^\circ$ .

Source of diagrams: <http://www.geocities.com/angolano/Astronomy/PIinSky.html>

5. If it is cloudy out or if you forget to look, make a note of that, but do not sketch the moon unless you actually observe it and do not record any observations that you have not personally made of the real sky (the internet is NOT the real sky). **The worst sin that a scientist can commit is to falsify data.** Do not commit this sin! Don't laugh—students try it every semester and end up being very disappointed in their moon project grades.
6. Record your observations as neatly as possible. But neatness is much less important than honesty, thoroughness, accuracy and usefulness. For an example of an observation table made by the great scientist, Galileo, see Figure 21.15 on p. 609 in your textbook.

### How to Graph

- On the blank graph provided below, plot a point showing the angular distance between the moon and one of the planets.
- Color code your data points as follows:
  - Blue = angles measured relative to Venus
  - Green = angles measured relative to Jupiter
  - Purple = angles measured relative to Saturn
  - Orange = angles measured relative to Aldebaran

- Label the point with an “E” when the moon is east (to the left) of the planet or star.
- Label the point with a “W” when the moon is west (to the right) of the planet or star.

**Due Date:** The observations and graphs will be due BEFORE the complete moon project is due. See your syllabus for the exact date.

**What to Hand In:** For the “Observations and Graphs” part of the moon project, hand in your original completed moon observation tables and your completed graph(s).

## Requirements for the Written Paper

You will write this paper as if it were addressed to a group of early 17<sup>th</sup> century scientists in England (freshly released from the shackles of belief in an Earth-centered universe). A paper has recently been presented by Namffuak Krekyb Nna, asserting that the moon revolves around Earth from east to west (clockwise as viewed from above the North Pole). This paper is on pages 5-8. Your job is to either support or refute Nna’s assertion, using your data as evidence. Use Nna’s paper as a model for how to write your own; notice especially how she describes the reasoning that lead her from her data to her conclusion.

In your paper, you must...

1. State the direction of the Moon’s revolution around Earth (clockwise or counterclockwise as viewed from above the North Pole).
2. **Clearly explain, in a logical way, the reasoning you used to get from YOUR topic-specific observations and graphs to your conclusion.** Read the boldface phrase again; I cannot emphasize this enough. Merely describing your data and then stating your conclusion is insufficient.

Please note: We will be doing a lab activity on the phases of the moon and eclipses. This lab involves figuring out which way the moon revolves around Earth by using your observations of which side of the moon is lit during the waxing and waning moon phases. DO NOT focus on this particular type of evidence in your paper; we do that in class. We want you to go beyond what we do in class and use your topic-specific data to support a conclusion.

3. If you refute Nna, you must also explain what’s wrong with her data and/or reasoning.
4. Explain what makes the moon rise and set and why this apparent motion of the moon confuses our perception of the direction of the moon’s revolution.
5. Illustrate your paper with at least one well-designed clearly annotated diagram that shows how your topic-specific evidence supports your conclusion.
6. Include all of your observations and graphs in your paper. Specifically refer to these in your paper.
7. All text must be typed. Each page must have a page number.
8. Hand-drawn diagrams and graphs are, however, perfectly acceptable.



## The Paper You Must Support or Refute

Note: This paper meets all of the writing requirements of this project. Use it as a guide for writing your own paper (but don't assume that Nna is correct).

---

### *Irrefutable Proof that the Moon Revolves Around Earth from East to West*

*by Namffuak Krekyb Nna, D.hP., Presented in London on March 1, 1611*

#### *Introduction*

*I am presenting this paper to settle once and for all the ongoing dispute that has been raging in our midst about the direction of the Moon's revolution around Earth. I very meticulously and carefully observed the moon every day for a full 29 days and 29 nights between January 4 and February 1 in the Year of Our Lord 1611. These observations lead me to what I believe are irrefutable conclusions about (1) the direction of the revolution of the moon around Earth and (2) the period of its orbit.*

#### *Observations*

*In order to determine the direction and period of the moon's revolution around Earth, I observed and recorded the time and location of the moon (recorded as a compass direction) at moonrise, at its highest point, and at moonset. I did this every day between January 4<sup>th</sup> and February 1<sup>st</sup> (See Figure 1 for example data). During this period of time, each rising of the moon occurred within  $20^\circ$  of east ( $090^\circ \pm 20^\circ$ ), sometimes a little south of east, sometimes a little north of east. The moon then traveled gradually westward, following an arc across the southern sky (See Figure 2). This journey always culminated in the setting of the moon, generally in the west ( $270^\circ \pm 20^\circ$ ), sometimes a little south of west, sometimes a little north of west. This journey took anywhere between 9 hours, 24 minutes and 15 hours, 29 minutes (see Table 1 for daily figures); the average duration of this journey was 12 hours, 14 minutes. My data are summarized in Table 1.*

Table 1: Location and Time of Moon Rise and Moon Set

Date	Moon Rise	Compass Direction of Moon at Moon Rise	Moon Set	Compass Direction of Moon at Moon Set	# of Hours the Moon is Up	Elapsed Time from Moon rise to Moon rise
4-Jan	7:40 AM	105°	5:35 PM	255°	9:55	
5-Jan	8:16 AM	102°	6:38 PM	258°	10:22	24:36
6-Jan	8:47 AM	098°	7:39 PM	261°	10:52	24:31
7-Jan	9:14 AM	095°	8:39 PM	264°	11:25	24:27
8-Jan	9:39 AM	092°	9:37 PM	267°	11:58	24:25
9-Jan	10:03 AM	088°	10:34 PM	270°	12:31	24:24
10-Jan	10:27 AM	085°	11:32 PM	273°	13:05	24:24
11-Jan	10:51 AM	083°	**	276°		24:24
12-Jan	11:18 AM	080°	12:31 AM	279°	13:40	24:27
13-Jan	11:49 AM	079°	1:31 AM	282°	14:13	24:31
14-Jan	12:26 PM	076°	2:32 AM	285°	14:43	24:37
15-Jan	1:10 PM	073°	3:34 AM	288°	15:08	24:34
16-Jan	2:02 PM	070°	4:34 AM	289°	15:24	24:52
17-Jan	3:04 PM	073°	5:31 AM	290°	15:29	25:02
18-Jan	4:13 PM	076°	6:22 AM	285°	15:18	25:09
19-Jan	5:26 PM	079°	7:07 AM	282°	14:54	25:13
20-Jan	6:41 PM	082°	7:46 AM	279°	14:20	25:15
21-Jan	7:55 PM	085°	8:20 AM	276°	13:39	25:14
22-Jan	9:09 PM	088°	8:51 AM	273°	12:56	25:14
23-Jan	10:22 PM	091°	9:22 AM	270°	12:13	25:13
24-Jan	11:34 PM	093°	9:52 AM	267°	11:30	25:12
25-Jan	*	095°	10:25 AM	264°	10:51	
26-Jan	12:45 AM	098°	11:02 AM	261°	10:17	25:11
27-Jan	1:54 AM	101°	11:43 AM	258°	9:49	25:09
28-Jan	3:00 AM	103°	12:31 PM	255°	9:31	25:06
29-Jan	4:00 AM	106°	1:24 PM	250°	9:24	25:00
30-Jan	4:53 AM	103°	2:23 PM	255°	9:30	24:53
31-Jan	5:38 AM	101°	3:24 PM	258°	9:46	24:45
1-Feb	6:16 AM	098°	4:26 PM	261°	10:10	24:38
<i>Averages</i>					12:14	24:50

\*The moon didn't rise on this date. It rose early the next day.

\*\*The moon didn't set on this date. It set early the next day.



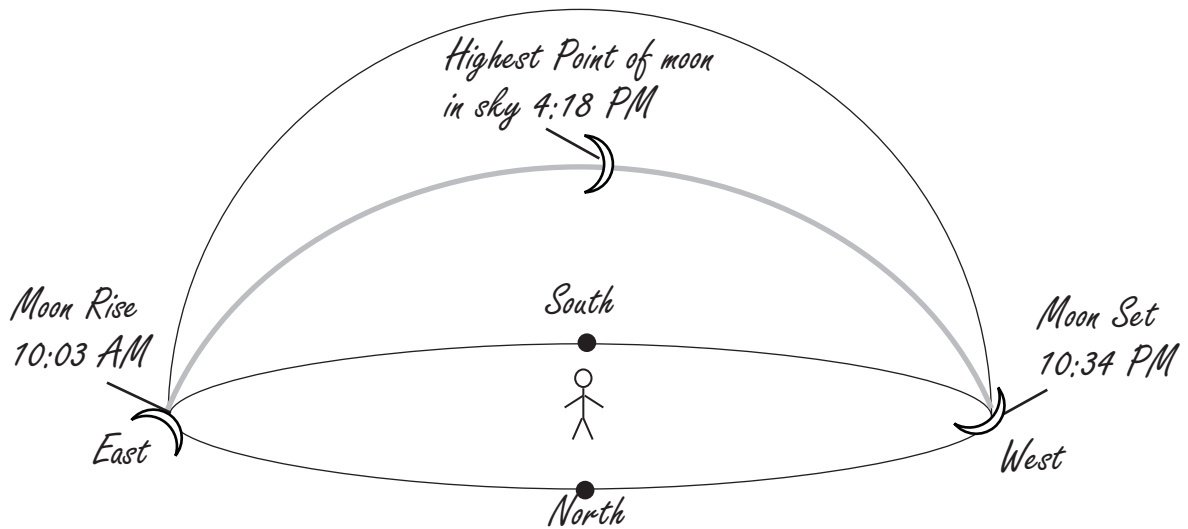


Figure 1: Example of the data collected. This example shows the location of moon and the time of day at moonrise, at the moon's highest point in the sky, and at moonset on January 9, 1611.

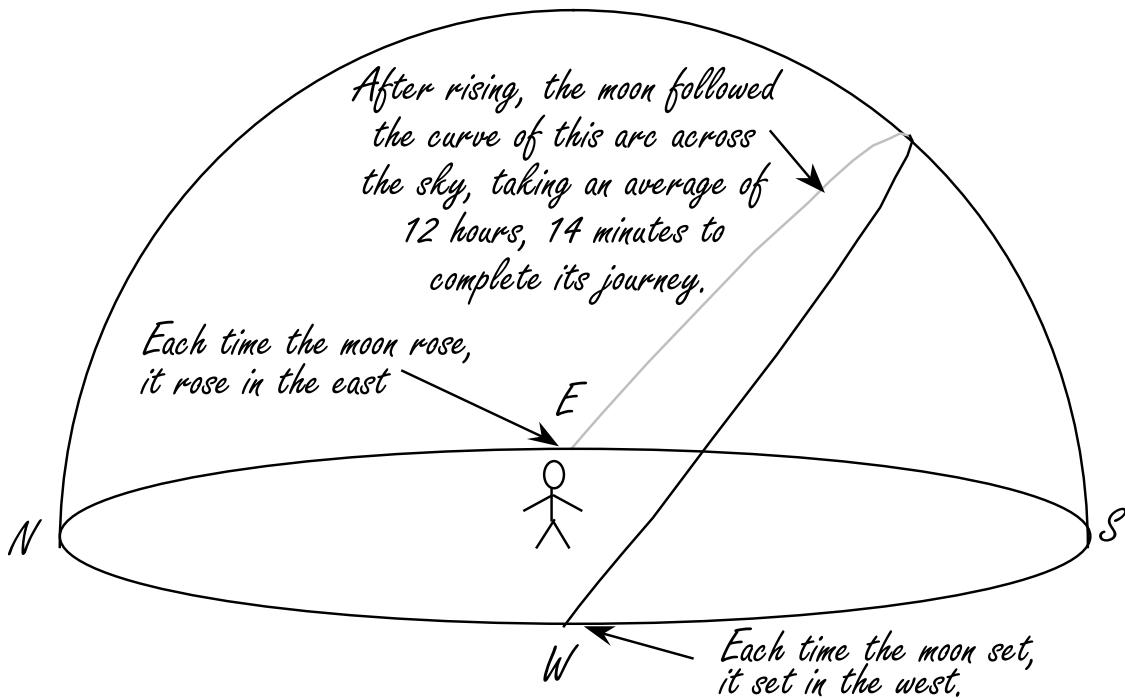
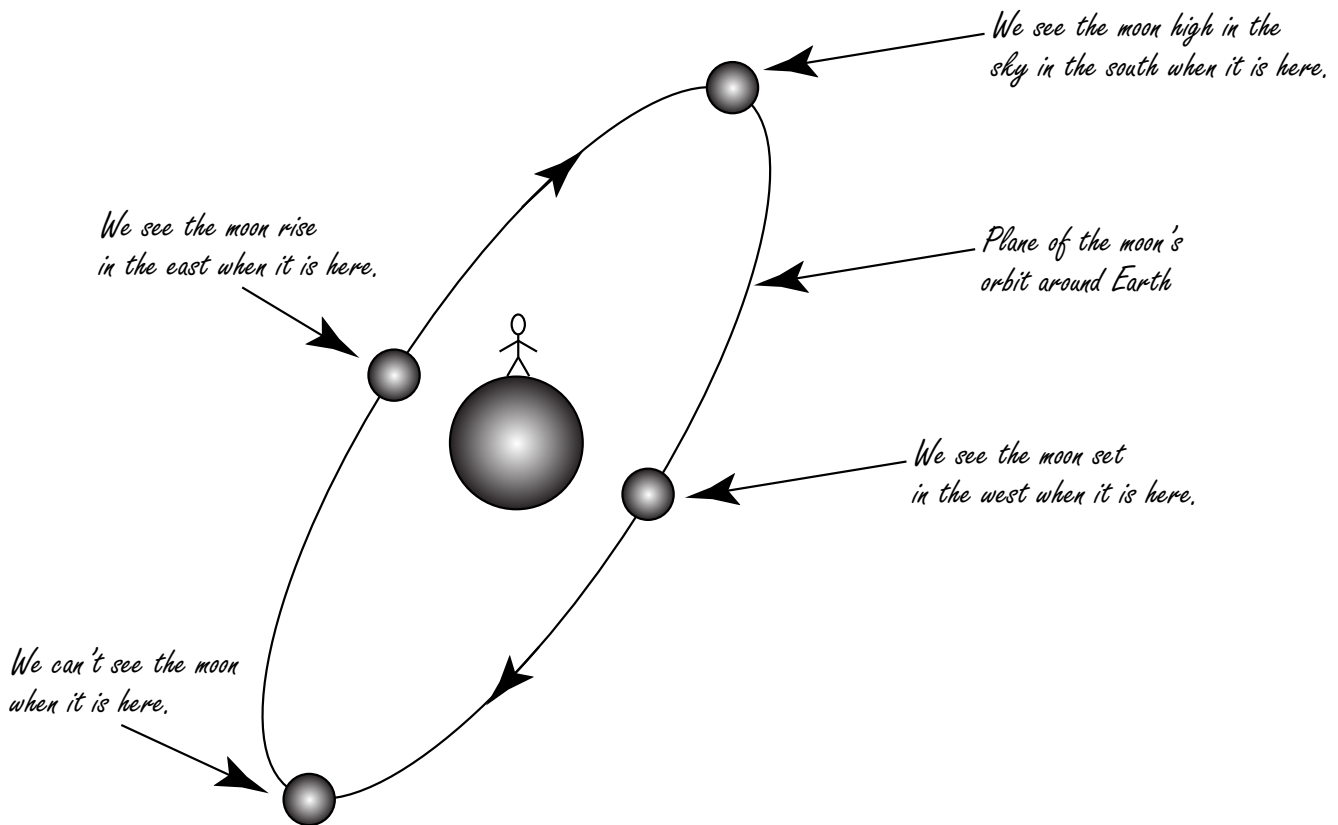


Figure 2: Diagram showing the daily path followed by the moon on its journey between moonrise and moonset.

### *Interpretation*

*I interpret this consistent gradual east-to-west movement of the moon across the sky as the revolution of the moon around Earth. I assert that every time the moon set in the west, it did not in fact disappear, but, rather, continued its journey around Earth, out of sight from my location in England (but visible in the American colonies and over the Pacific Ocean). When it had traveled far enough around Earth to once again be visible from England, those of us in England could then see the moon rising in the east (See Figure 3 for an illustration of this phenomenon).*



*Figure 3: Diagram showing how the clockwise orbit of the moon around Earth is manifested as the moon rising in the east and setting in the west, as seen by a person in England.*

*The observations of the times of moonrise provide the evidence needed to derive the period of the moon's revolution. Table 1 shows the time elapsed between successive moonrise events between January 4 and February 1, 1611. The elapsed time between each successive pair of moonrise events varied between 24 hours, 24 minutes and 25 hours, 15 minutes. The average time interval between successive moonrise events was 24 hours, 50 minutes. My interpretation of these data is that the time between one moonrise and the next represents the time it took for the moon to complete one  $360^\circ$  revolution around the Earth (see Figure 3).*

### *Conclusion*

*In conclusion, I interpret my observations to demonstrate that the moon revolves around the Earth from east to west and that its period of revolution averages 24 hours, 50 minutes. I now welcome the opportunity to argue my case with any person who has an alternative explanation for these observations.*

## Peer Reviews

Before you turn in your paper, you must...

1. Have a classmate conduct a peer review of your paper. This classmate must be working on a topic other than yours. After receiving the review, rewrite and improve the paper as needed.
2. Conduct a peer review of a classmate's paper. You will use the rubric on the following page for this purpose; circle the box that applies in each category. In addition, write as many specific suggestions as you can think of to help your classmate improve his/her paper and feel free to mark up your classmate's work with red (or any color) pen. And remember, "being nice" will not help him/her; specific constructive criticism will. Also, this review is worth points, so before you give it to your classmate, be sure to photocopy it so you can turn it in for credit.

## Final Submission of Moon Project

Your final submission of your moon project must include (in order)...

1. Your observations and graph(s).
2. The final drafts of your paper and illustrations.
3. The first drafts of your paper and illustrations (the ones reviewed by a classmate).
4. The review of your first drafts completed by your classmate.
5. **Very Important!** A photocopy of the review you did of a classmate's paper—don't count on your classmate to include your review with his/her final submission of the moon project.

Use ordinary paper, stapled together. Be sure to make it possible for the reader to view any fold-out graphs or other illustrations without undoing the staples.

Writer's Name \_\_\_\_\_

Reviewer's Name \_\_\_\_\_

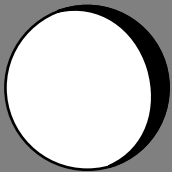
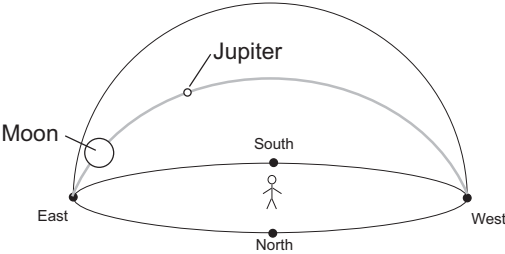

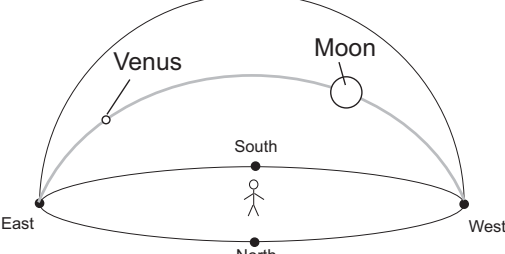
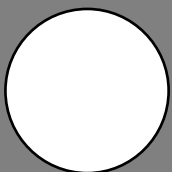
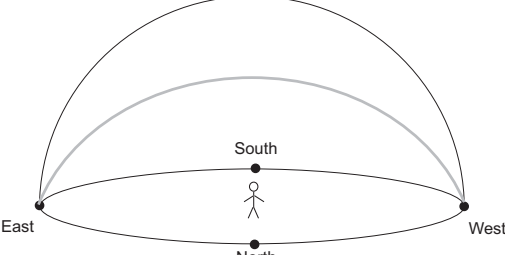
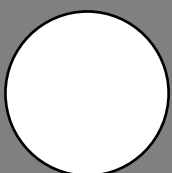
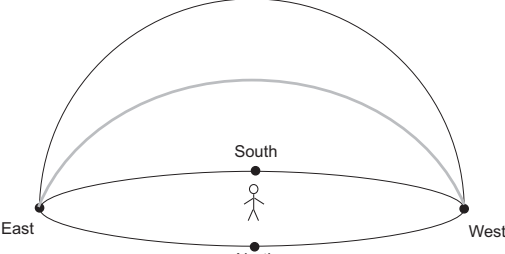
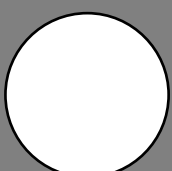
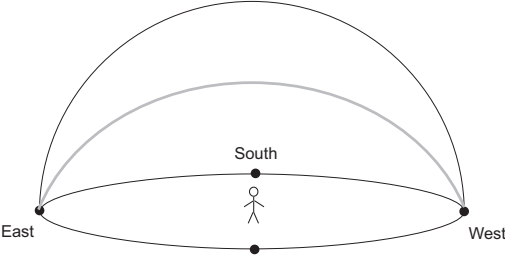
**Grading Rubric for the Explanations of the Concepts**

Component	Weight <sup>1</sup>	Unacceptable (0-2)	Fair (3)	Good (4)	Excellent (5)	Points
<b>Explanation</b>	5	Explanation is incorrect and full of gaps. The logic is invalid and impossible to follow. The writer assumes far too much prior knowledge in reader.	Explanation is mostly correct. Gaps in logic or invalid logic make the explanation hard to follow. The writer assumes too much prior knowledge in the reader.	Explanation is correct but a little unclear or incomplete. There are a few gaps in logic. The writer assumes a bit too much prior knowledge in the reader.	The writer makes a strong irrefutable case for his/her answer, clearly and logically explaining how that answer is supported by the data collected and the graphs plotted.	
<b>Diagram</b>	3	Diagram is missing altogether or is useless because it illustrates something irrelevant to the explanations given in the text.	Diagram contains major factual errors or is unclear. Caption, labels or written explanation is poor or missing.	Diagram contains minor errors or is a bit unclear. Caption, labels or written explanation incomplete.	Diagram is neat, accurate and greatly aids in understanding the text. Caption, labels, and/ or written explanation clearly reveal what diagrams are showing.	
<b>Grammar, spelling, capitalization, punctuation, etc.</b>	2	Poorly worded. Meaning unclear. Full of errors.	Text is quite wordy or unclear. Spelling or grammar errors partially obscure the meaning of the text.	Text is a bit too wordy or is so concise as to be unclear. Some wording is awkward or contains grammar or spelling errors. Minor formatting errors.	The writing is elegant and original; creative analogies clarify concepts. Free of errors. Formatted according to instructions.	
<b>Total Points (out of 50):</b>						

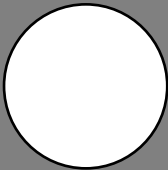
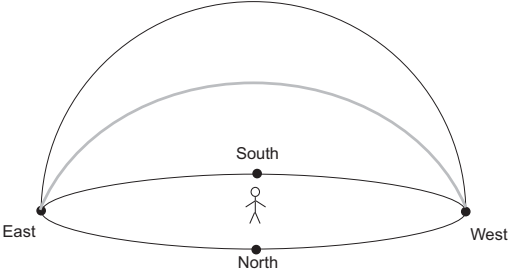
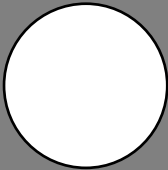
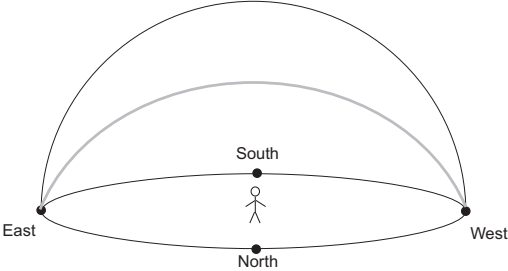
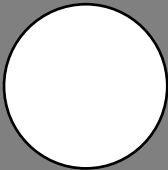
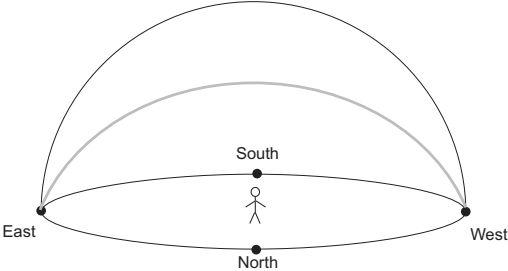
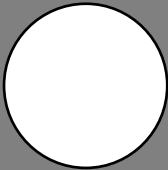
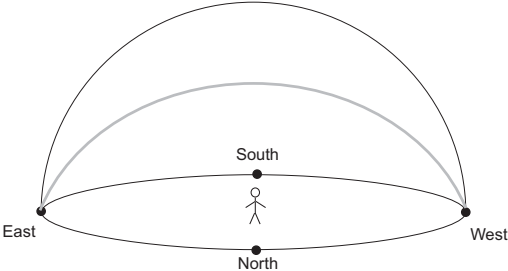
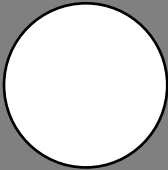
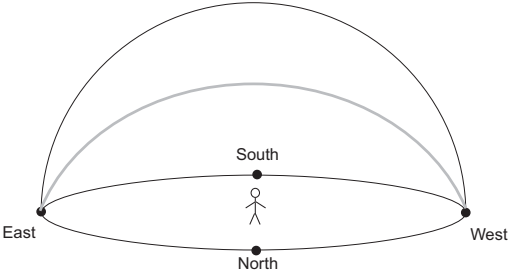
<sup>1</sup> Multiply raw score by this number to calculate the points earned.

Specific Suggestions for Improving the Paper:

Shade in the portion of the moon you CANNOT see. Leave the visible portion white!

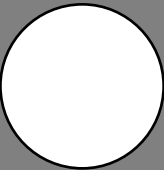
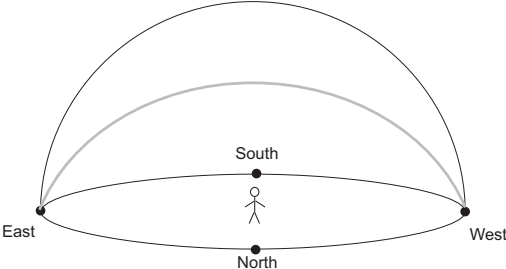
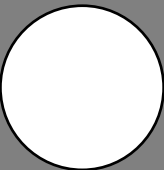
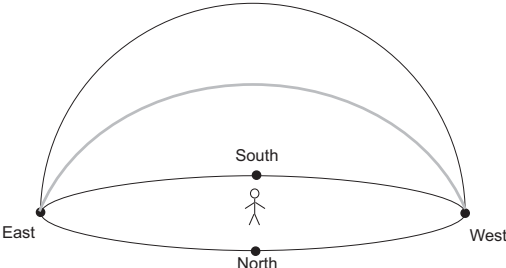
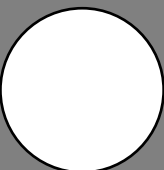
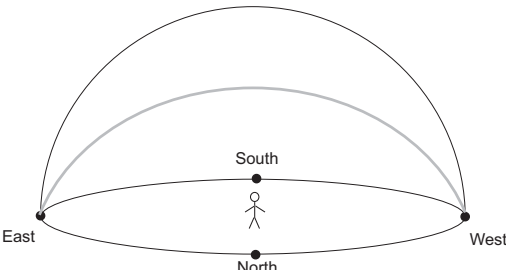
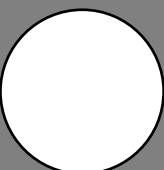
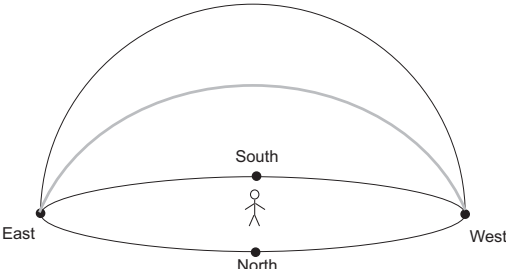
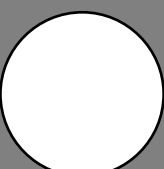
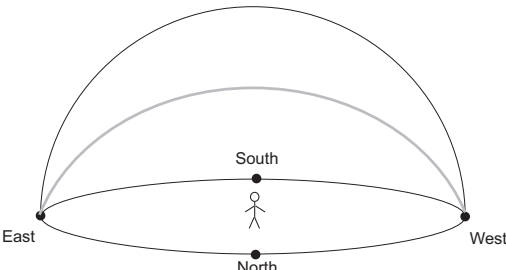
Date	Time of Observation (Include am/pm)	Sketch of Moon	Locations of Moon and a Planet or Star	Angle Between Moon & Planet or Star
Aug. 8, 2009	10:00 p.m.			35°
Aug. 9, 2009	5:15 a.m.			100°
				
				
				

Shade in the portion of the moon you CANNOT see. Leave the visible portion white!

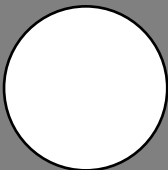
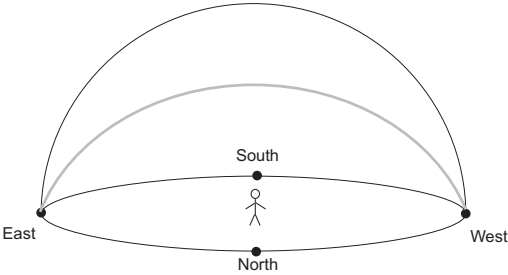
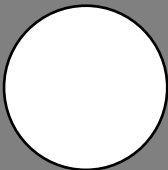
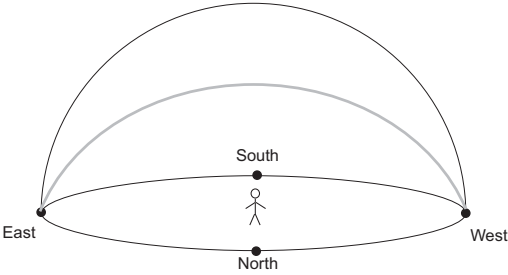
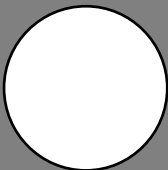
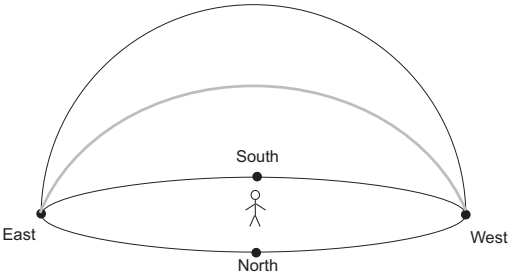
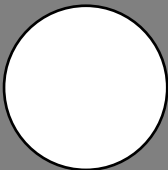
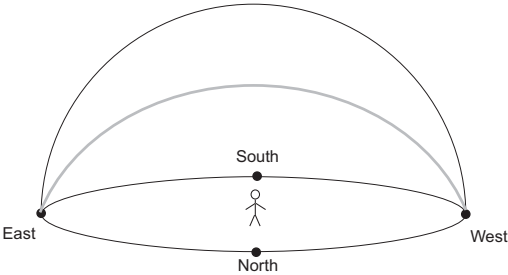
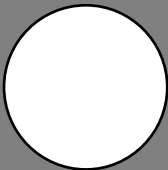
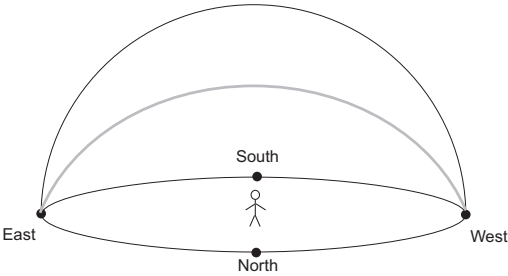
Date	Time of Observation (Include am/pm)	Sketch of Moon	Locations of Moon and a Planet or Star	Angle Between Moon & Planet or Star
				
				
				
				
				



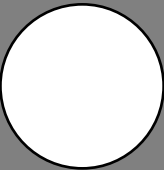
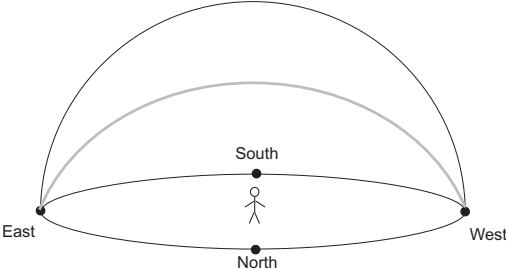
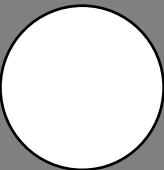
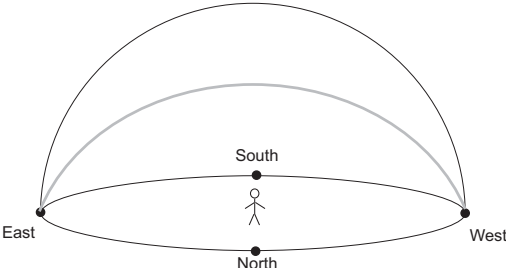
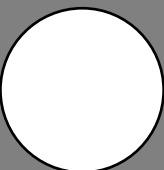
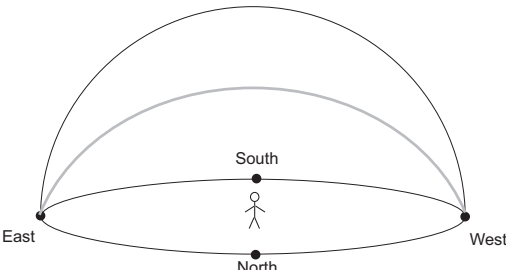
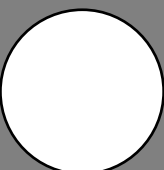
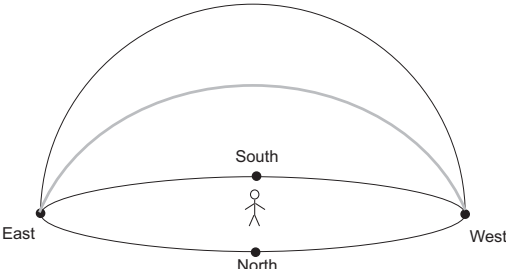
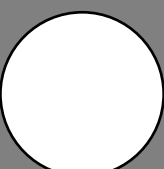
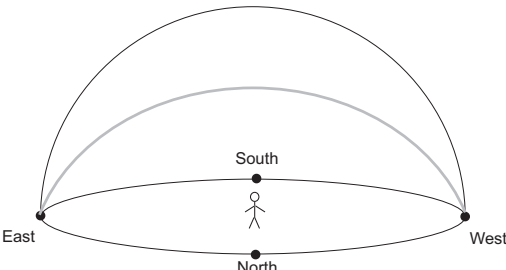
Shade in the portion of the moon you CANNOT see. Leave the visible portion white!

Date	Time of Observation (Include am/pm)	Sketch of Moon	Locations of Moon and a Planet or Star	Angle Between Moon & Planet or Star
				
				
				
				
				

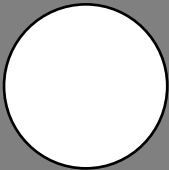
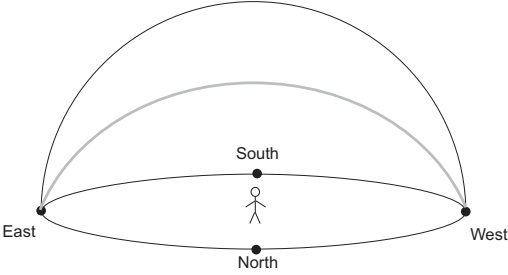
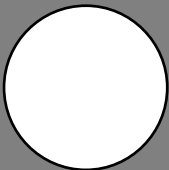
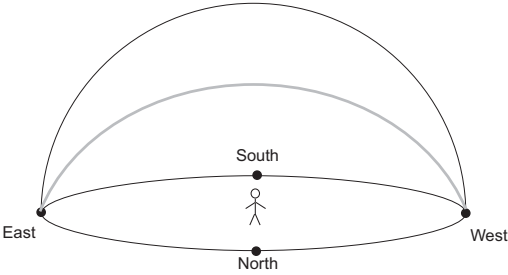
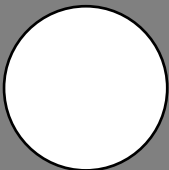
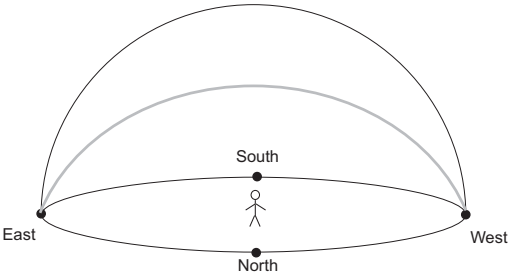
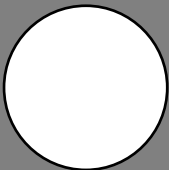
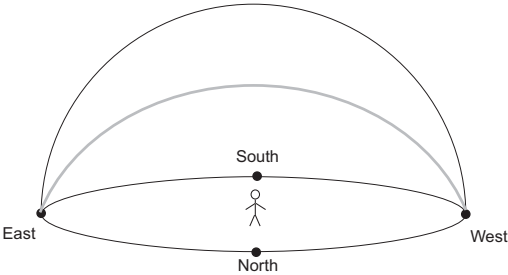
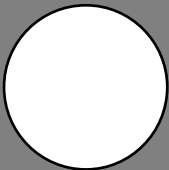
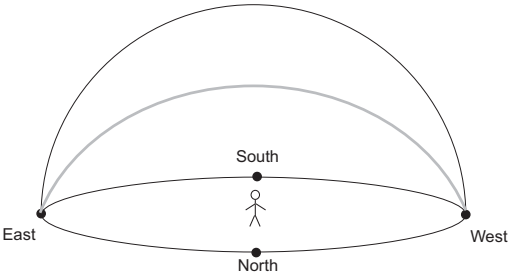
Shade in the portion of the moon you CANNOT see. Leave the visible portion white!

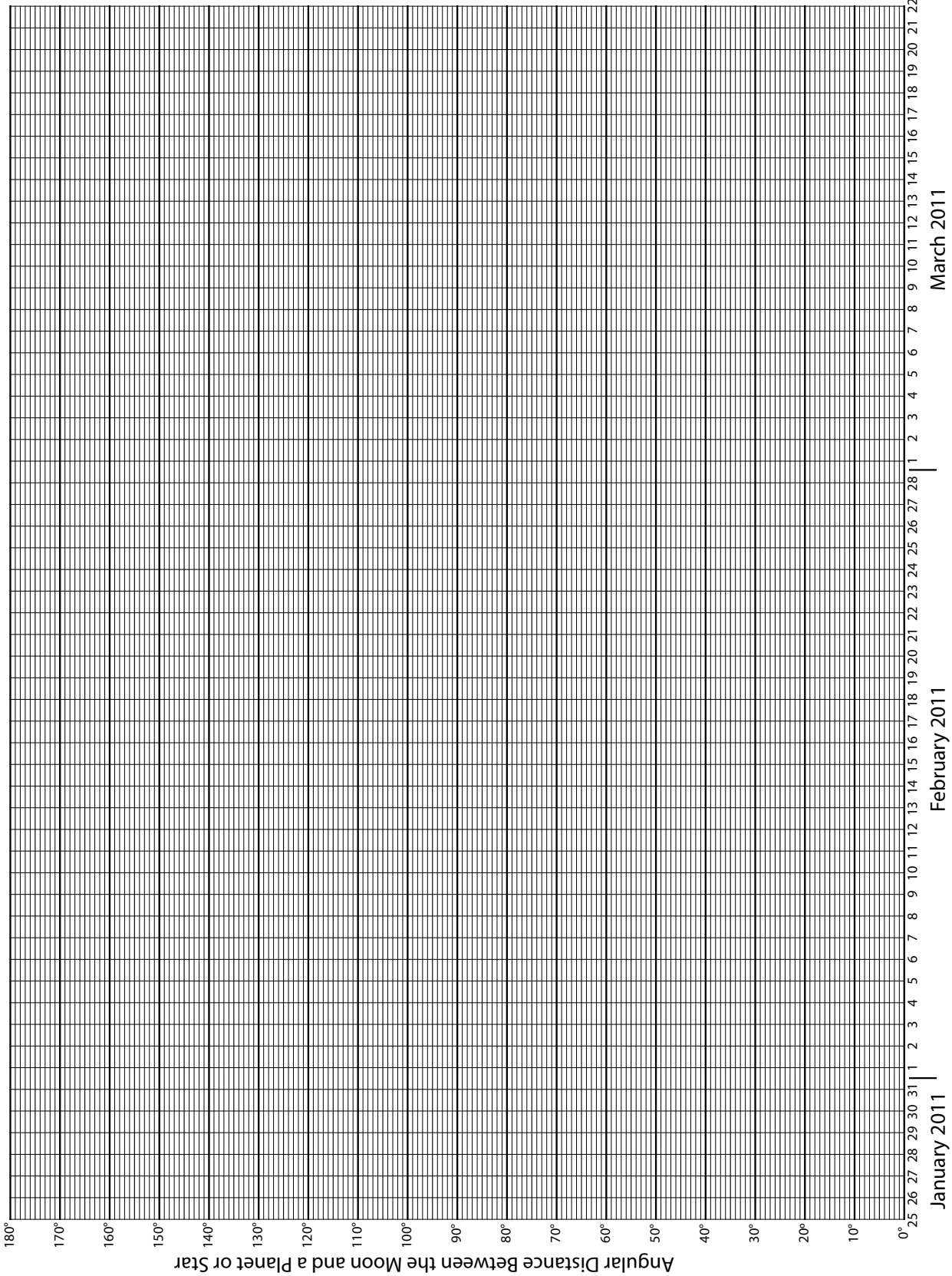
Date	Time of Observation (Include am/pm)	Sketch of Moon	Locations of Moon and a Planet or Star	Angle Between Moon & Planet or Star
				
				
				
				
				

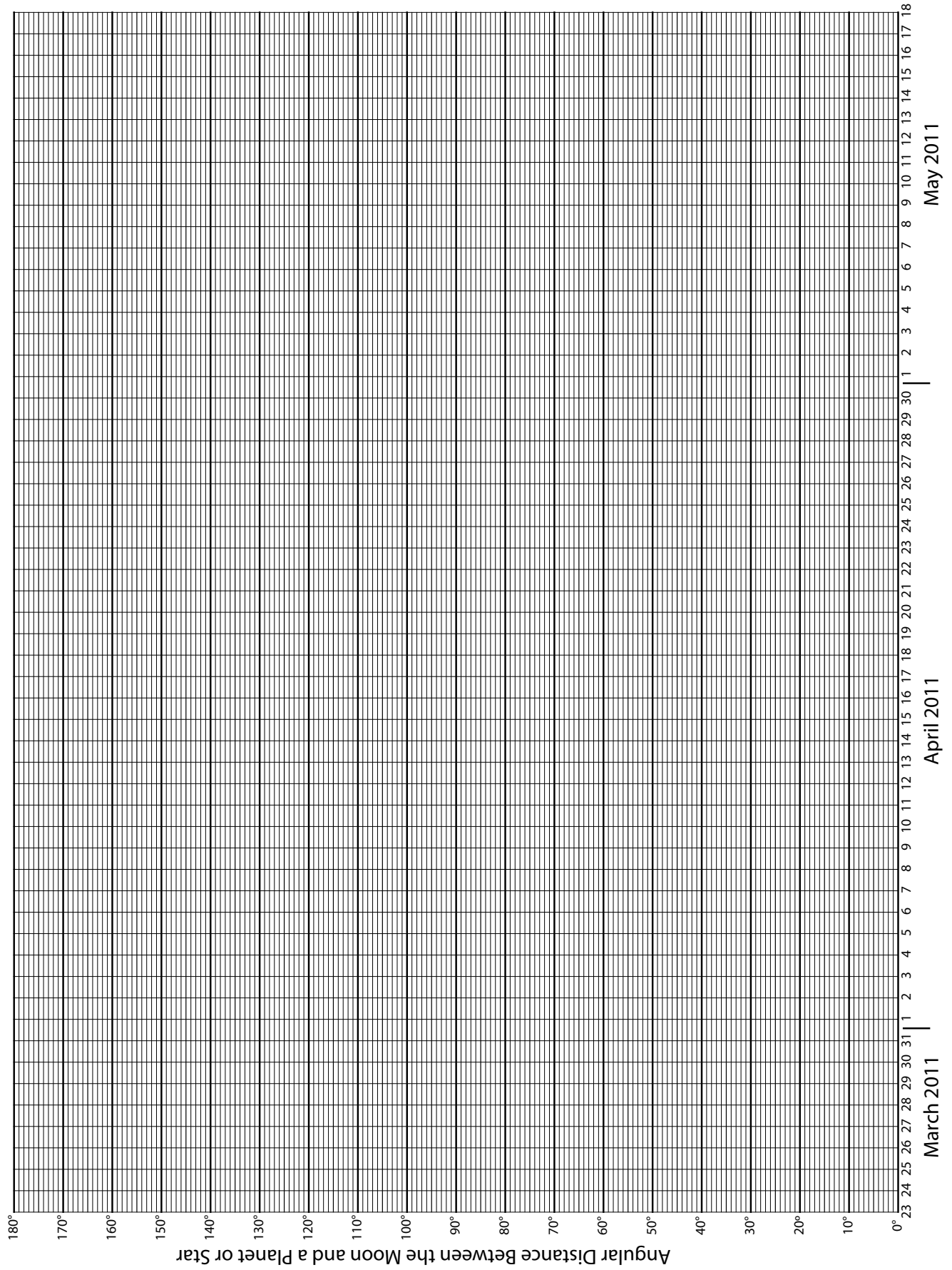
Shade in the portion of the moon you CANNOT see. Leave the visible portion white!

Date	Time of Observation (Include am/pm)	Sketch of Moon	Locations of Moon and a Planet or Star	Angle Between Moon & Planet or Star
				
				
				
				
				

Shade in the portion of the moon you CANNOT see. Leave the visible portion white!

Date	Time of Observation (Include am/pm)	Sketch of Moon	Locations of Moon and a Planet or Star	Angle Between Moon & Planet or Star
				
				
				
				
				





### Moon Facts for January 2011

Date	Day of Week	Time of Sunrise	Time of Sunset	Time of Moonrise	Time of Moonset
1-Jan	Sa.	7:28	4:53	5:07 AM	2:34 PM
2-Jan	Su.	7:28	4:54	6:06 AM	3:31 PM
3-Jan	M.	7:28	4:55	6:57 AM	4:32 PM
4-Jan	Tu.	7:28	4:56	7:40 AM	5:35 PM
5-Jan	W.	7:28	4:57	8:16 AM	6:38 PM
6-Jan	Th.	7:28	4:57	8:47 AM	7:39 PM
7-Jan	Fr.	7:28	4:58	9:14 AM	8:39 PM
8-Jan	Sa.	7:28	4:59	9:39 AM	9:37 PM
9-Jan	Su.	7:28	5:00	10:03 AM	10:34 PM
10-Jan	M.	7:27	5:01	10:27 AM	11:32 PM
11-Jan	Tu.	7:27	5:02	10:51 AM	**
12-Jan	W.	7:27	5:03	11:18 AM	12:31 AM
13-Jan	Th.	7:27	5:05	11:49 AM	1:31 AM
14-Jan	Fr.	7:26	5:06	12:26 PM	2:32 AM
15-Jan	Sa.	7:26	5:07	1:10 PM	3:34 AM
16-Jan	Su.	7:26	5:08	2:02 PM	4:34 AM
17-Jan	M.	7:25	5:09	3:04 PM	5:31 AM
18-Jan	Tu.	7:25	5:10	4:13 PM	6:22 AM
19-Jan	W.	7:24	5:11	5:26 PM	7:07 AM
20-Jan	Th.	7:24	5:12	6:41 PM	7:46 AM
21-Jan	Fr.	7:23	5:13	7:55 PM	8:20 AM
22-Jan	Sa.	7:22	5:15	9:09 PM	8:51 AM
23-Jan	Su.	7:22	5:16	10:22 PM	9:22 AM
24-Jan	M.	7:21	5:17	11:34 PM	9:52 AM
25-Jan	Tu.	7:20	5:18	*	10:25 AM
26-Jan	W.	7:20	5:19	12:45 AM	11:02 AM
27-Jan	Th.	7:19	5:20	1:54 AM	11:43 AM
28-Jan	Fr.	7:18	5:22	3:00 AM	12:31 PM
29-Jan	Sa.	7:17	5:23	4:00 AM	1:24 PM
30-Jan	Su.	7:17	5:24	4:53 AM	2:23 PM
31-Jan	M.	7:16	5:25	5:38 AM	3:24 PM

\* The moon does not rise on this date. It rises early the next day.

\*\* The moon does not set on this date. It sets early the next day.

### Moon Facts for February 2011

Date	Day of Week	Time of Sunrise	Time of Sunset	Time of Moonrise	Time of Moonset
1-Feb	Tu.	7:15	5:26	6:16 AM	4:26 PM
2-Feb	W.	7:14	5:28	6:48 AM	5:28 PM
3-Feb	Th.	7:13	5:29	7:17 AM	6:28 PM
4-Feb	Fr.	7:12	5:30	7:43 AM	7:27 PM
5-Feb	Sa.	7:11	5:31	8:07 AM	8:25 PM
6-Feb	Su.	7:10	5:32	8:30 AM	9:22 PM
7-Feb	M.	7:09	5:34	8:55 AM	10:20 PM
8-Feb	Tu.	7:08	5:35	9:21 AM	11:19 PM
9-Feb	W.	7:06	5:36	9:49 AM	**
10-Feb	Th.	7:05	5:37	10:23 AM	12:19 AM
11-Feb	Fr.	7:04	5:38	11:02 AM	1:19 AM
12-Feb	Sa.	7:03	5:39	11:49 AM	2:18 AM
13-Feb	Su.	7:02	5:41	12:45 PM	3:16 AM
14-Feb	M.	7:01	5:42	1:48 PM	4:08 AM
15-Feb	Tu.	6:59	5:43	2:59 PM	4:55 AM
16-Feb	W.	6:58	5:44	4:13 PM	5:37 AM
17-Feb	Th.	6:57	5:45	5:28 PM	6:14 AM
18-Feb	Fr.	6:55	5:46	6:44 PM	6:48 AM
19-Feb	Sa.	6:54	5:48	8:00 PM	7:20 AM
20-Feb	Su.	6:53	5:49	9:16 PM	7:52 AM
21-Feb	M.	6:51	5:50	10:30 PM	8:25 AM
22-Feb	Tu.	6:50	5:51	11:42 PM	9:01 AM
23-Feb	W.	6:49	5:52	*	9:42 AM
24-Feb	Th.	6:47	5:53	12:51 AM	10:29 AM
25-Feb	Fr.	6:46	5:54	1:54 AM	11:21 AM
26-Feb	Sa.	6:44	5:55	2:49 AM	12:18 PM
27-Feb	Su.	6:43	5:57	3:37 AM	1:18 PM
28-Feb	M.	6:42	5:58	4:17 AM	2:20 PM

\* The moon does not rise on this date. It rises early the next day.

\*\* The moon does not set on this date. It sets early the next day.



### Moon Facts for March 2011

Date	Day of Week	Time of Sunrise	Time of Sunset	Time of Moonrise	Time of Moonset
1-Mar	Tu.	6:40	5:59	4:51 AM	3:21 PM
2-Mar	W.	6:39	6:00	5:20 AM	4:21 PM
3-Mar	Th.	6:37	6:01	5:47 AM	5:19 PM
4-Mar	Fr.	6:36	6:02	6:11 AM	6:17 PM
5-Mar	Sa.	6:34	6:03	6:35 AM	7:15 PM
6-Mar	Su.	6:33	6:04	6:59 AM	8:12 PM
7-Mar	M.	6:31	6:05	7:25 AM	9:11 PM
8-Mar	Tu.	6:29	6:06	7:53 AM	10:10 PM
9-Mar	W.	6:28	6:07	8:24 AM	11:09 PM
10-Mar	Th.	6:26	6:08	9:01 AM	**
11-Mar	Fr.	6:25	6:09	9:44 AM	12:08 AM
12-Mar	Sa.	6:23	6:10	10:34 AM	1:04 AM
13-Mar	Su.	7:22	7:12	12:32 PM	1:57 AM
14-Mar	M.	7:20	7:13	1:37 PM	3:45 AM
15-Mar	Tu.	7:18	7:14	2:47 PM	4:28 AM
16-Mar	W.	7:17	7:15	4:00 PM	5:06 AM
17-Mar	Th.	7:15	7:16	5:15 PM	5:41 AM
18-Mar	Fr.	7:14	7:17	6:31 PM	6:14 AM
19-Mar	Sa.	7:12	7:18	7:47 PM	6:46 AM
20-Mar	Su.	7:10	7:19	9:04 PM	7:20 AM
21-Mar	M.	7:09	7:20	10:20 PM	7:56 AM
22-Mar	Tu.	7:07	7:21	11:34 PM	8:36 AM
23-Mar	W.	7:06	7:22	*	9:22 AM
24-Mar	Th.	7:04	7:23	12:42 AM	10:14 AM
25-Mar	Fr.	7:02	7:24	1:42 AM	11:11 AM
26-Mar	Sa.	7:01	7:25	2:33 AM	12:12 PM
27-Mar	Su.	6:59	7:26	3:16 AM	1:13 PM
28-Mar	M.	6:58	7:27	3:52 AM	2:15 PM
29-Mar	Tu.	6:56	7:28	4:23 AM	3:15 PM
30-Mar	W.	6:54	7:29	4:50 AM	4:13 PM
31-Mar	Th.	6:53	7:30	5:16 AM	5:11 PM

\* The moon does not rise on this date. It rises early the next day.

\*\* The moon does not set on this date. It sets early the next day.

### Moon Facts for April 2011

Date	Day of Week	Time of Sunrise	Time of Sunset	Time of Moonrise	Time of Moonset
1-Apr	Fr.	6:51	7:31	5:40 AM	6:09 PM
2-Apr	Sa.	6:50	7:32	6:04 AM	7:06 PM
3-Apr	Su.	6:48	7:33	6:29 AM	8:04 PM
4-Apr	M.	6:46	7:34	6:56 AM	9:03 PM
5-Apr	Tu.	6:45	7:35	7:27 AM	10:02 PM
6-Apr	W.	6:43	7:36	8:02 AM	11:01 PM
7-Apr	Th.	6:42	7:37	8:43 AM	11:58 PM
8-Apr	Fr.	6:40	7:38	9:31 AM	**
9-Apr	Sa.	6:39	7:39	10:25 AM	12:51 AM
10-Apr	Su.	6:37	7:40	11:26 AM	1:40 AM
11-Apr	M.	6:36	7:41	12:32 PM	2:23 AM
12-Apr	Tu.	6:34	7:42	1:41 PM	3:02 AM
13-Apr	W.	6:32	7:43	2:52 PM	3:37 AM
14-Apr	Th.	6:31	7:44	4:05 PM	4:09 AM
15-Apr	Fr.	6:29	7:45	5:19 PM	4:41 AM
16-Apr	Sa.	6:28	7:46	6:35 PM	5:13 AM
17-Apr	Su.	6:27	7:47	7:51 PM	5:48 AM
18-Apr	M.	6:25	7:48	9:08 PM	6:26 AM
19-Apr	Tu.	6:24	7:49	10:20 PM	7:10 AM
20-Apr	W.	6:22	7:50	11:26 PM	8:01 AM
21-Apr	Th.	6:21	7:51	*	8:58 AM
22-Apr	Fr.	6:19	7:52	12:23 AM	9:59 AM
23-Apr	Sa.	6:18	7:53	1:11 AM	11:03 AM
24-Apr	Su.	6:17	7:54	1:51 AM	12:06 PM
25-Apr	M.	6:15	7:55	2:24 AM	1:07 PM
26-Apr	Tu.	6:14	7:56	2:53 AM	2:07 PM
27-Apr	W.	6:13	7:57	3:19 AM	3:05 PM
28-Apr	Th.	6:11	7:58	3:43 AM	4:02 PM
29-Apr	Fr.	6:10	7:59	4:08 AM	4:59 PM
30-Apr	Sa.	6:09	8:00	4:33 AM	5:57 PM

\* The moon does not rise on this date. It rises early the next day.

\*\* The moon does not set on this date. It sets early the next day.

### Moon Facts for May 2011

Date	Day of Week	Time of Sunrise	Time of Sunset	Time of Moonrise	Time of Moonset
1-May	Su.	6:08	8:01	4:59 AM	6:56 PM
2-May	M.	6:06	8:02	5:29 AM	7:55 PM
3-May	Tu.	6:05	8:03	6:03 AM	8:55 PM
4-May	W.	6:04	8:04	6:42 AM	9:53 PM
5-May	Th.	6:03	8:05	7:28 AM	10:48 PM
6-May	Fr.	6:02	8:06	8:21 AM	11:38 PM
7-May	Sa.	6:00	8:07	9:20 AM	**
8-May	Su.	5:59	8:08	10:24 AM	12:22 AM
9-May	M.	5:58	8:09	11:31 AM	1:02 AM
10-May	Tu.	5:57	8:10	12:39 PM	1:37 AM
11-May	W.	5:56	8:11	1:49 PM	2:09 AM
12-May	Th.	5:55	8:12	2:59 PM	2:40 AM
13-May	Fr.	5:54	8:13	4:12 PM	3:10 AM
14-May	Sa.	5:53	8:14	5:26 PM	3:43 AM
15-May	Su.	5:52	8:14	6:41 PM	4:18 AM
16-May	M.	5:51	8:15	7:55 PM	4:59 AM
17-May	Tu.	5:51	8:16	9:05 PM	5:46 AM
18-May	W.	5:50	8:17	10:07 PM	6:41 AM
19-May	Th.	5:49	8:18	11:01 PM	7:41 AM
20-May	Fr.	5:48	8:19	11:45 PM	8:46 AM
21-May	Sa.	5:47	8:20	*	9:51 AM
22-May	Su.	5:47	8:21	12:22 AM	10:54 AM
23-May	M.	5:46	8:22	12:53 AM	11:56 AM
24-May	Tu.	5:45	8:22	1:21 AM	12:55 PM
25-May	W.	5:45	8:23	1:46 AM	1:53 PM
26-May	Th.	5:44	8:24	2:10 AM	2:51 PM
27-May	Fr.	5:43	8:25	2:35 AM	3:48 PM
28-May	Sa.	5:43	8:26	3:01 AM	4:47 PM
29-May	Su.	5:42	8:26	3:30 AM	5:46 PM
30-May	M.	5:42	8:27	4:02 AM	6:46 PM
31-May	Tu.	5:41	8:28	4:40 AM	7:45 PM

\* The moon does not rise on this date. It rises early the next day.

\*\* The moon does not set on this date. It sets early the next day.

